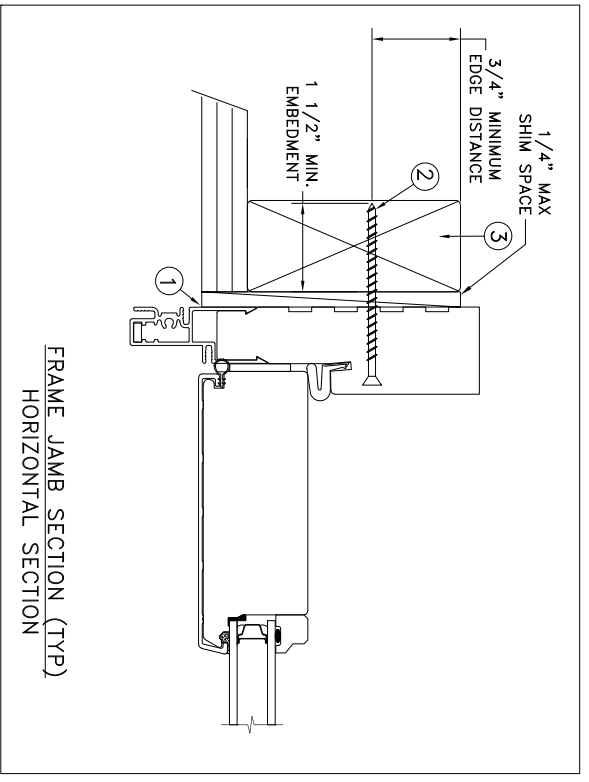
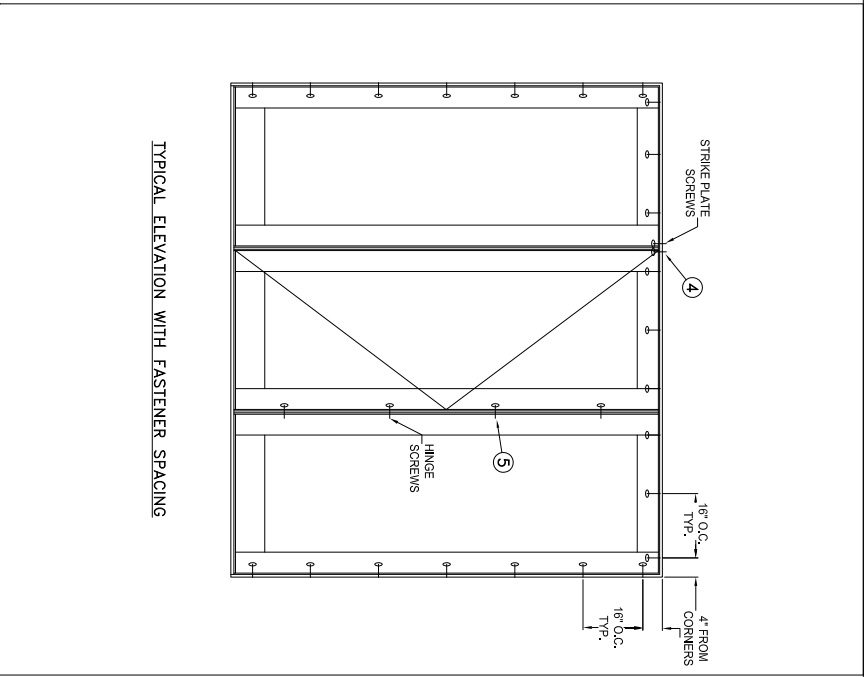
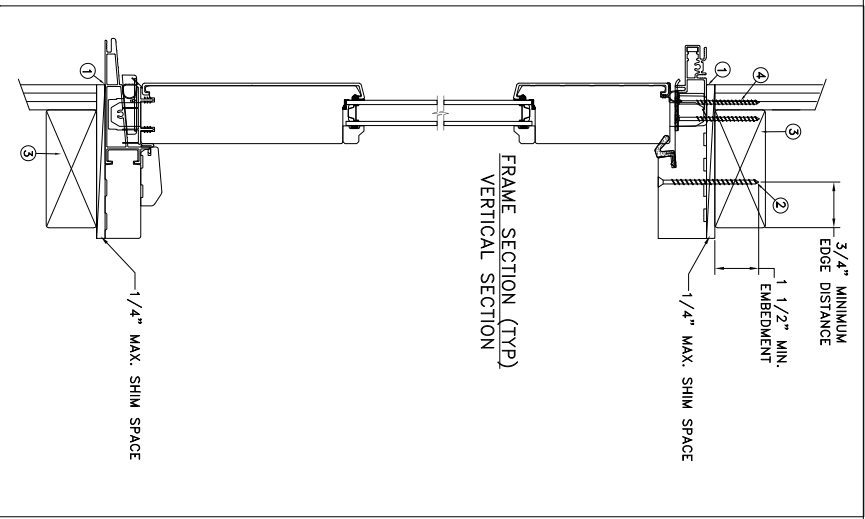


THROUGH FRAME
INSTALLATION



Max Frame	DP	IMPACT
112 3/8 x 98 1/8	+35 / -35	NO



Installation Notes:

1. Seal flange/frame to substrate. Sill shall be set on a continuous serpentine bead of structural grade silicone caulk when no fastener is used to anchor the sill (typical).
2. Use #8 PH or greater fastener through the head & side jambs with sufficient length to penetrate a minimum of 1 1/2" into the wood framing. For 2x wood frame substrate (min. S.G. = 0.42)
3. Host structure (wood buck, masonry, steel) to be designed and anchored to properly transfer all loads to the structure. The host structure is the responsibility of the architect or engineer of record for the project of installation.
4. Use 4 - #8 PH or greater fastener through the strike plate in the head with sufficient length to penetrate a minimum of 1 1/2" into the wood framing.
5. Use 1 - #8 PH or greater fastener through each hinge into the mull post with sufficient length to penetrate a minimum of 1 1/2" into the stationary stile.

General Notes:

1. The product shown herein is designed, tested and manufactured to comply with the wind load criteria of the adopted International Building Code (IBC), the International Residential Code (IRC), the current Florida Building Code (FBC) and the industry requirement for the stated conditions.
2. All glazing shall conform to ASTM E1300.
3. Use structural or composite shims where required.

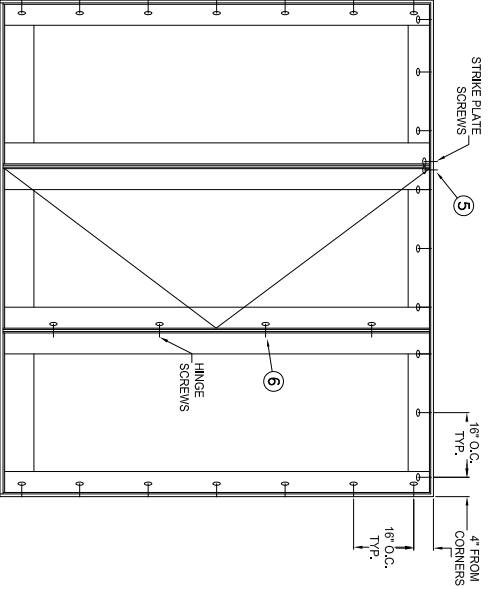
This schedule addresses only the fasteners required to anchor the window to achieve the rated design pressure and impact performance (where applicable) up to the size limitations noted. It is not intended as a guide to the installation process and does not address the sealing consideration that may arise in different wall conditions. For the complete installation procedure, see the instructions packaged with the window or go to www.jeld-wen.com/resources/installation.

DISCLAIMER:
This drawing and its contents are confidential and are not to be reproduced or copied in whole or in part or used or disclosed to others except as authorized by JELD-WEN Inc.

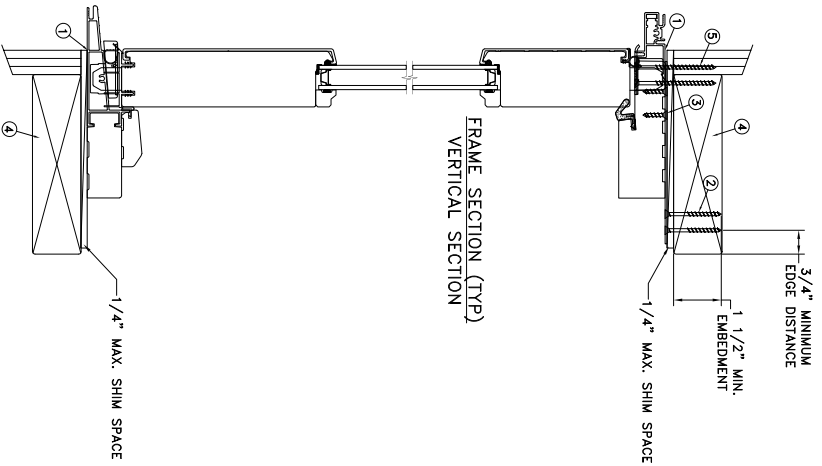
<p>RECORD No.: D016262</p> <p>APPROVED BY: D.STOKES</p> <p>CHECKED BY: G.GARDNER</p> <p>DRAWN BY: J.HAWKINS</p>	<p>DATE: 01/28/2022</p> <p>SCALE: NTS</p>	<p>3737 LAKEPORT BLVD. KLAMATH FALLS OR, 97601 PHONE: (800) 535-3936</p>
<p>REPORT No.: NCTL-310-21-077 E0A0</p>	<p>TITLE: Custom Clad Outswing 3-Panel Door</p>	
<p>CAD DWG. No.: CUSTCLOSWSRP3Pnl Car</p>	<p>REV.: A</p>	<p>SHEET 1 OF 2</p>

"AS TESTED"

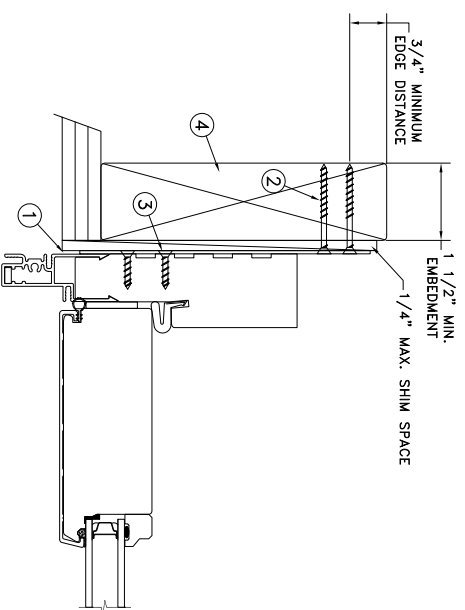
MASONRY STRAP
INSTALLATION



TYPICAL ELEVATION WITH FASTENER SPACING



FRAME SECTION (TYP)
VERTICAL SECTION



FRAME JAMB SECTION (TYP)
HORIZONTAL SECTION

Max Frame	DP	IMPACT
1 1/2	3/8 x 98 1/8 +35/-35	NO

Installation Notes:

- Seal flange/frame to substrate. Sill shall be set on a continuous serpentine bead of structural grade silicone caulk when no fastener is used to anchor the sill (typical).
- Use 2 - #8 PFH or larger fasteners through masonry strap with sufficient length to penetrate a minimum of 1 1/2" into the buck. For 2x wood frame substrate (min. S.G. = 0.42).
- Use 2 - #8 PFH or larger fasteners through masonry strap into jamb without penetrating through the jamb into product causing visibility or collateral damage to product.
- Host structure (wood buck, masonry, steel) to be designed and anchored to properly transfer all loads to the structure and is the responsibility of the architect/engineer of record for the project of installation.
- Use 4 - #8 PH or greater fastener through the strike plate in the head with sufficient length to penetrate a minimum of 1 1/2" into the wood framing.
- Use 1 - #8 PH or greater fastener through each hinge into the mull post with sufficient length to penetrate a minimum of 1 1/2" into the stationary stile.

This schedule addresses only the fasteners required to anchor the unit to achieve the rated design pressure and impact performance (where applicable) up to the size limitations noted. It is not intended as a guide to the installation process and does not address the sealing consideration that may arise in different wall conditions. For the complete installation procedure, see the instructions packaged with the unit or go to www.jeld-wen.com.

DISCLAIMER:

This drawing and its contents are confidential and are not to be reproduced or copied in whole or in part or used or disclosed to others except as authorized by JELD-WEN Inc.

General Notes:

- The product shown herein is designed, tested and manufactured to comply with the wind load criteria of the adopted International Building Code (IBC), the International Residential Code (IRC), the current Florida Building Code (FBC) and the industry requirement for the stated conditions.
- All glazing shall conform to ASTM E1300.
- Use structural or composite shims where required.
- Masonry strap specifications: 20 Ga. galvanized steel, .036" min. thickness x 1.5" min. width.

DRAWN BY: J.HAWKINS CHECKED BY: G.GARDNER APPROVED BY: D.STOKES	DATE: 01/28/2022 SCALE: NTS	TITLE: <p style="text-align: center;">JELD-WEN 3737 LAKEPORT BLVD. KLAMATH FALLS OR, 97601 PHONE: (800) 535-3936</p> <p style="text-align: center;">Custom Clad Outswing 3-Panel Door</p>
RECORD No.: D016262 REPORT No.: NCTL-310-21-077 E0A0	CAD DWG. No.: CUSCLCLOSWPDP3Pnl Car REV.: A	SHEET 2 OF 2

"AS TESTED"